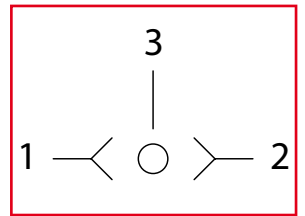


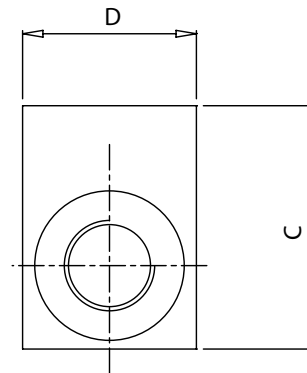
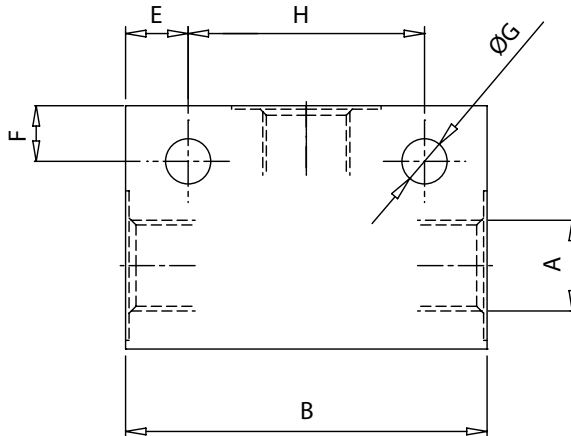
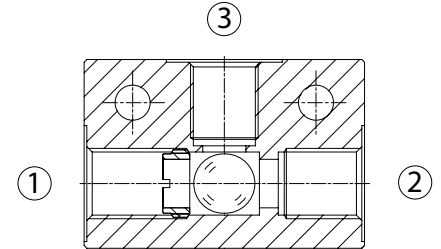


# VUSF

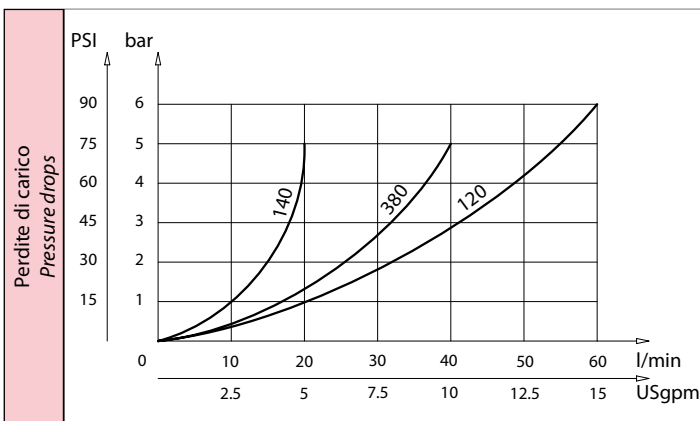
Valvole selettive  
Load shuttle-ball valves



Dati tecnici Technical data	
Viscosità fluido Fluid viscosity	10-500 mm <sup>2</sup> /s 45 to 2000 ssu (6 to 420 cSt)
Classe di contaminazione Filtration	ISO code 16/13 SAE class 4 or better
Temperatura fluido Fluid temperature	-20°C +80°C -4°F +176°F
Temperatura ambiente Ambient temperature	-20°C +50°C -4°F +122°F



mm  
(Inches)



Caratteristiche tecniche Technical performances											
Codice Code	A	Portata Max Max flow l/min - USgpm	Pressione Max Max pressure bar/PSI	B	C	D	E	F	G	H	Peso approssimativo Approx weight Kg / lb
VUSF 140	BSPP 1/4	20 (5)	350 (5000)	52 (2.047)	35 (1.38)	25 (0.98)	9 (0.35)	8 (0.31)	6,5 (0.26)	34 (1.34)	0,29 (0.65)
VUSF 380	BSPP 3/8	40 (10)		60 (2.362)	40 (1.57)		8 (0.31)			44 (1.73)	0,35 (0.80)
VUSF 120	BSPP 1/2	60 (15)		70 (2.756)	50 (1.97)	30 (1.18)	10 (0.39)	10 (1.38)	8,5 (0.33)	50 (1.97)	0,65 (0.15)

Codice ordinazione Ordering code	
<b>VUSF-X-N</b>	
<b>X</b>	Dimensione / Size
140	BSPP 1/4
380	BSPP 3/8
120	BSPP 1/2