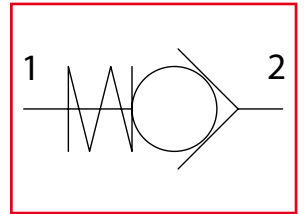


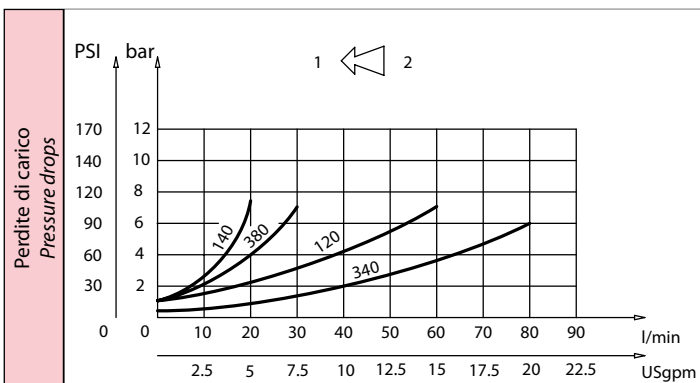
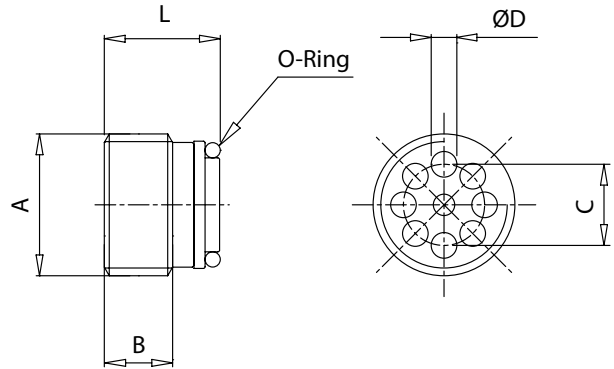
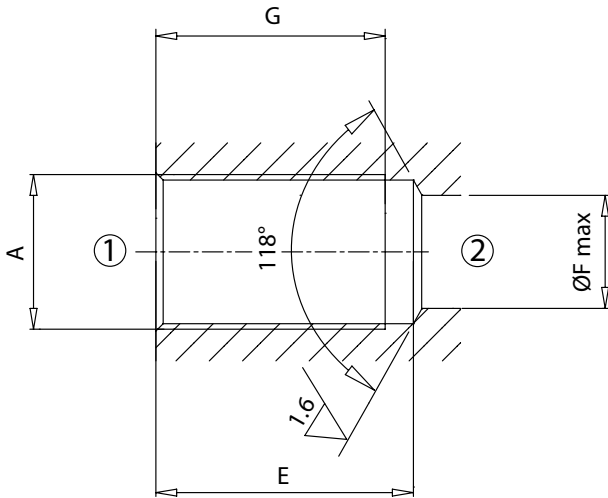
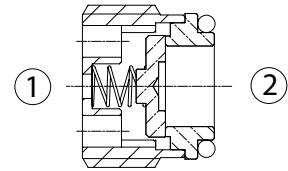


# VUP

Valvole unidirezionali a disco  
Disk check valves



Dati tecnici Technical data	
Viscosità fluido Fluid viscosity	10-500 mm <sup>2</sup> /s 45 to 2000 ssu (6 to 420 cSt)
Classe di contaminazione Filtration	ISO code 16/13 SAE class 4 or better
Temperatura fluido Fluid temperature	-20°C +80°C -4°F +176°F
Temperatura ambiente Ambient temperature	-20°C +50°C -4°F +122°F



Chiave / Tool		
Dimensioni / Dimensions		
Codice Code	Valvola Valve	Peso Weight Kg / lb
61700005	VUP 140	0,12 (0.27)
61700006	VUP 380	0,13 (0.29)
61700003	VUP 120	0,15 (0.33)

Codice ordinazione Ordering code	
VUP-X	
X	Dimensione / Size
140	BSPP 1/4
380	BSPP 3/8
120	BSPP 1/2
340	BSPP 3/4

## Caratteristiche tecniche Technical performances

Codice Code	A	Portata Max Max flow l/min-USgpm	Pressione Max Max pressure bar/PSI	B	C	D	E	F	G	Coppia di serraggio Tightening torque Nm / lbf ft	O-Ring	Peso approssimativo Approx weight Kg / lb
VUP 140	BSPP 1/4	20 (5)	500 (7250)	6 (0.24)	7 (0.27)	62 (0.08)	24 (0.95)	7 (0.28)	22 (0.87)	6 (53)	9 x 1	0,010 (0.022)
VUP 380	BSPP 3/8	35 (9)		8 (0.31)	9,5 (0.37)	3 (0.12)	29 (1.14)	9 (0.35)	27 (1.06)	6 (53)	10,8 x 1,78	0,015 (0.033)
VUP 120	BSPP 1/2	60 (16)	350 (5000)	10 (0.39)	12 (0.47)	4 (0.16)	32 (1.26)	12 (0.47)	29 (1.14)	10 (88)	14 x 1,78	0,019 (0.042)
VUP 340	BSPP 3/4	80 (21)		10,5 (0.41)	16 (0.63)	4,75 (0.19)	37 (1.46)	16 (0.63)	33 (1.30)	20 (177)	18,7 x 2,62	0,042 (0.093)