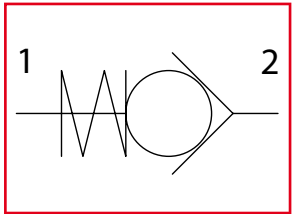


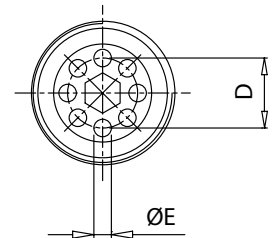
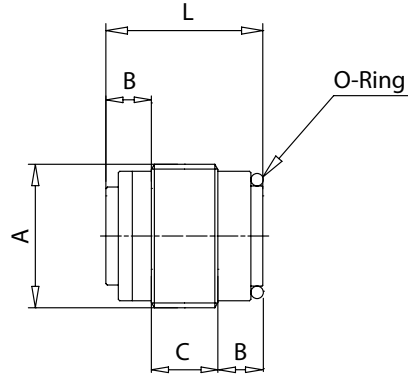
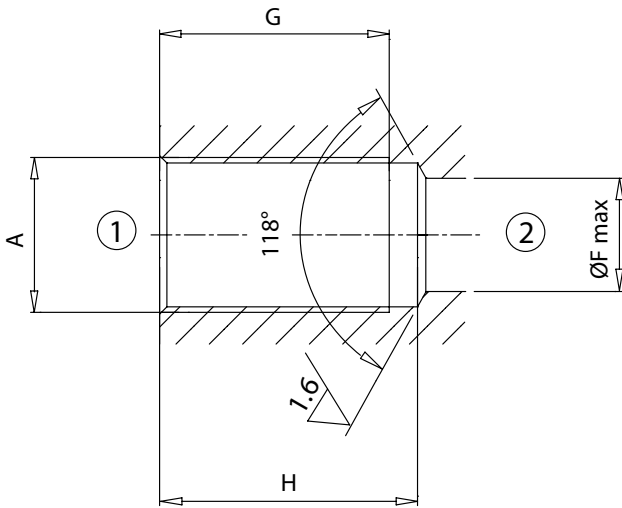
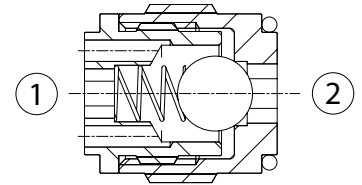


# VUI

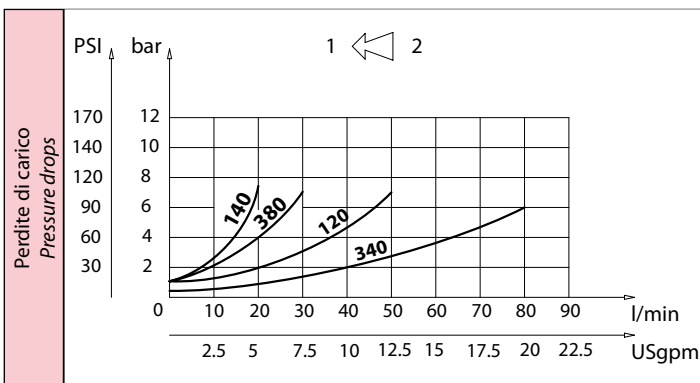
Valvole unidirezionali a sfera  
Ball check valves



Dati tecnici Technical data	
Viscosità fluido Fluid viscosity	10-500 mm <sup>2</sup> /s 45 to 2000 ssu (6 to 420 cSt)
Classe di contaminazione Filtration	ISO code 16/13 SAE class 4 or better
Temperatura fluido Fluid temperature	-20°C +80°C -4°F +176°F
Temperatura ambiente Ambient temperature	-20°C +50°C -4°F +122°F



[ mm  
(Inches) ]



Codice ordinazione Ordering code	
<b>VUI-X</b>	
X	Dimensione / Size
140	BSPP 1/4
380	BSPP 3/8
120	BSPP 1/2
340	BSPP 3/4

### Caratteristiche tecniche Technical performances

Codice Code	A	Portata Max Max flow l/min-USgpm	Pressione Max Max pressure bar/PSI	B	C	D	E	F	G	H	L	Coppia di serraggio Tightening torque Nm/lbf ft	O-Ring	Peso approssimativo Approx weight Kg/lb
VUI 140	BSPP 1/4	20 (5)	350 (5000)	55 (0.28)	6 (0.24)	6 (0.24)	1,3 (0.05)	7 (0.28)	28 (1.10)	31 (1.22)	17 (0.67)	6 (53)	9 x 1	0,012 (0.026)
VUI 380	BSPP 3/8	30 (8)			7,5 (0.30)	7,5 (0.30)	2 (0.08)	9 (0.35)	31 (1.22)	34 (1.34)	18,5 (0.73)		10,8 x 1,78	0,020 (0.044)
VUI 120	BSPP 1/2	50 (13)		7 (0.22)	8,5 (0.34)	10 (0.39)	2,5 (0.10)	12 (0.47)	35 (1.38)	38 (1.50)	22,5 (0.88)	10 (88)	14 x 1,78	0,036 (0.080)
VUI 340	BSPP 3/4	80 (21)		7,5 (0.30)	13,5 (0.53)	14 (0.55)	3,25 (0.13)	16 (0.63)	41 (1.61)	45 (1.77)	28,5 (1.12)	20 (177)	18,7 x 2,62	0,073 (0.16)