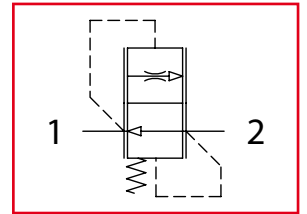


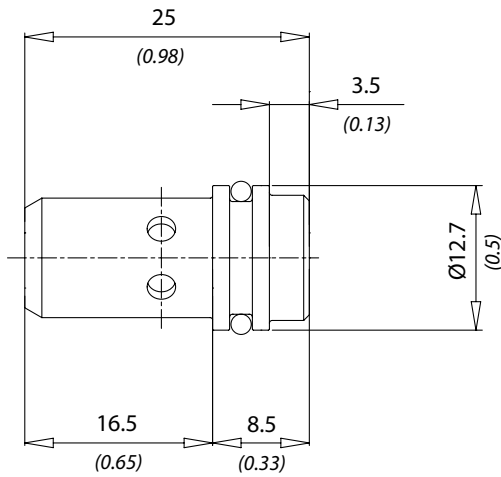
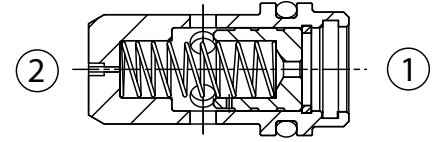


# VSCR6

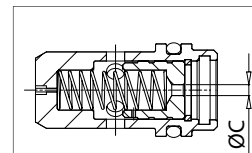
Valvole controllo discesa compensate fisse  
Fixed compensated load control valves



Dati tecnici Technical data	
Viscosità fluido Fluid viscosity	10-500 mm <sup>2</sup> /s 45 to 2000 ssu (6 to 420 cSt)
Classe di contaminazione Filtration	ISO code 16/13 SAE class 4 or better
Temperatura fluido Fluid temperature	-20°C +80°C -4°F +176°F
Temperatura ambiente Ambient temperature	-20°C +50°C -4°F +122°F



[ mm  
(Inches) ]



Codice Code	Ø C
VSCR61	Ø 0,8 (Ø 0.031)
VSCR62	Ø 1 (Ø 0.039)
VSCR63	Ø 1,25 (Ø 0.049)
VSCR64	Ø 1,5 (Ø 0.059)
VSCR65	Ø 1,75 (Ø 0.069)
VSCR66	Ø 2 (Ø 0.078)
VSCR67	Ø 2,5 (Ø 0.098)
VSCR68	Ø 2,75 (Ø 0.108)
VSCR69	Ø 3 (Ø 0.118)
VSCR610	Ø 3,5 (Ø 0.137)
VSCR611	Ø 3,75 (Ø 0.147)
VSCR612	Ø 4 (Ø 0.157)
VSCR613	Ø 4,25 (Ø 0.167)
VSCR615	Ø 5 (Ø 0.196)

Codice ordinazione Ordering code	
VSCR6 - Y	
Y	Portata controllata a 100 bar ± 10% Controlled flow at 100 bar ± 10 %
1	1 l/min (0.25 USgpm)
2	2 l/min (0.5 USgpm)
3	3 l/min (0.75 USgpm)
4	4 l/min (1 USgpm)
5	5 l/min (1.25 USgpm)
6	6 l/min (1.5 USgpm)
7	7 l/min (1.75 USgpm)
8	8 l/min (2 USgpm)
9	9 l/min (2.25 USgpm)
10	10 l/min (2.5 USgpm)
11	11 l/min (2.75 USgpm)
12	12 l/min (3 USgpm)
13	13 l/min (3.5 USgpm)
15	14 l/min (4 USgpm)

Caratteristiche tecniche Technical performances			
Codice Code	Portata Max Max flow l/min - USgpm	Pressione Max Max pressure bar/PSI	Peso approssimativo Approx weight Kg / lb
VSCR6	12 (3)	250 (3600)	0,015 (0.033)