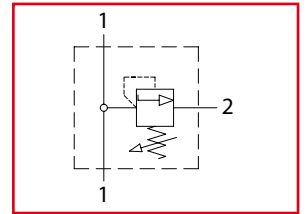


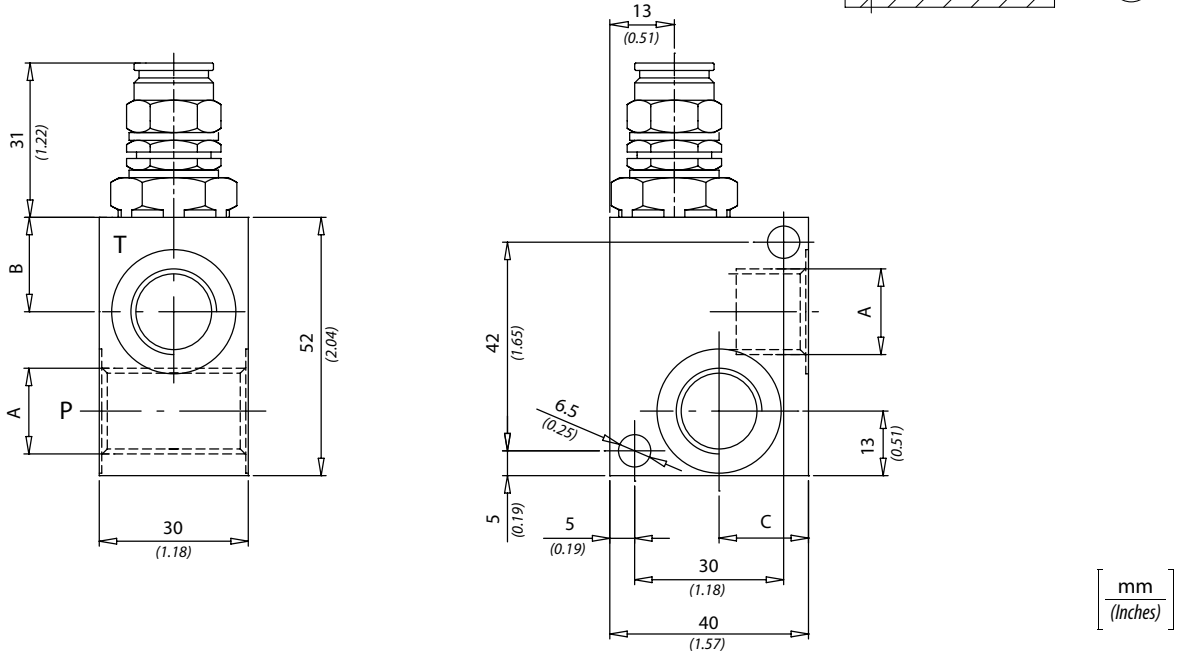
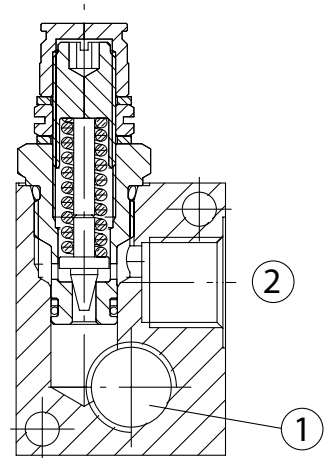


VMDR1

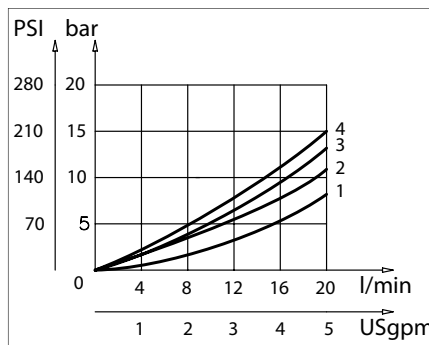
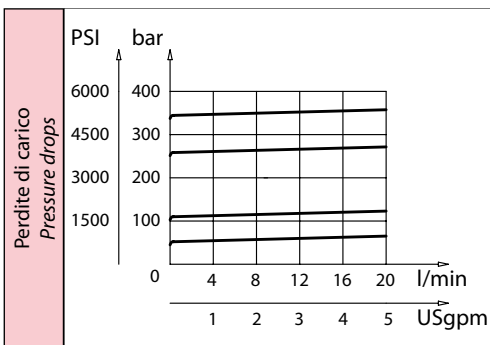
Valvole di massima pressione in linea
Direct acting relief valves



Dati tecnici Technical data	
Viscosità fluido Fluid viscosity	10-500 mm ² /s 45 to 2000 ssu (6 to 420 cSt)
Classe di contaminazione Filtration	ISO code 16/13 SAE class 4 or better
Temperatura fluido Fluid temperature	-20°C +80°C -4°F +176°F
Temperatura ambiente Ambient temperature	-20°C +50°C -4°F +122°F



[mm
(Inches)



Caratteristiche tecniche Technical performances						
Code Code	A	Portata Max Max flow l/min - USgpm	Pressione Max Max pressure bar/PSI	B	C	Peso approssimativo Approx weight Kg / lb
VMDR1140	BSPP 1/4	20 (5)	350 (5000)	17 (0.67)	20 (0.78)	0,45 (0.99)
VMDR1380	BSPP 3/8			19 (0.75)	18 (0.71)	

Codice ordinazione Ordering code			
VMDR1 - X - Y - K			
X	Dimensione / Size	Y	Regolazione / Setting
140	BSPP 1/4	C	
380	BSPP 3/8		
K	Molla / Spring		
1	40 bar (600 PSI) max		
2	110 bar (1600 PSI) max		
3	250 bar (3600 PSI) max		
4	350 bar (5000 PSI) max		