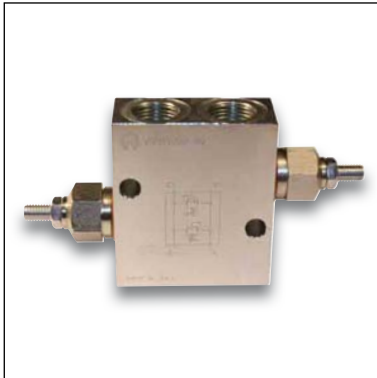
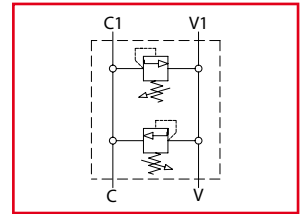


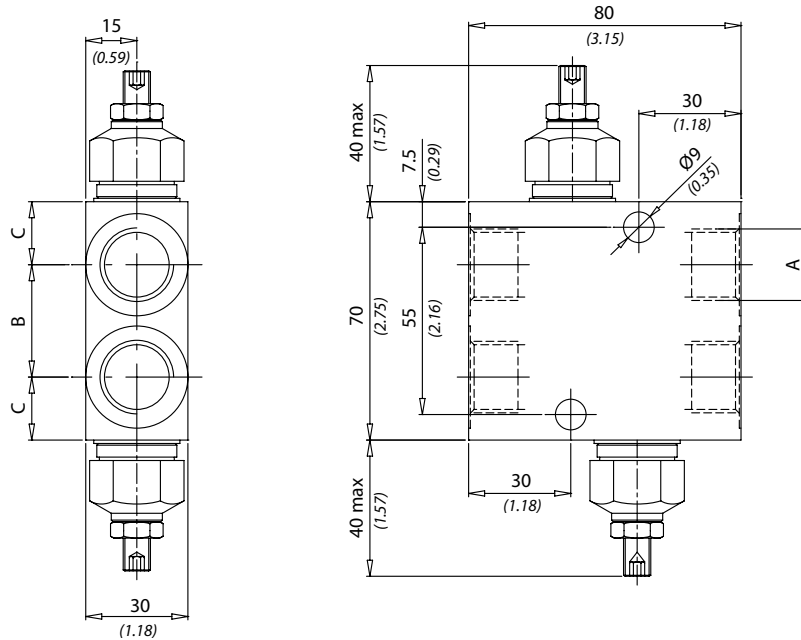
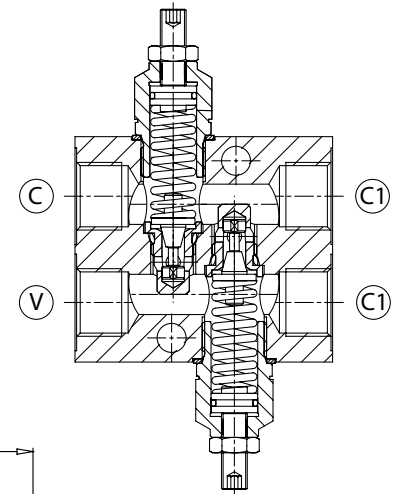


# VBDC

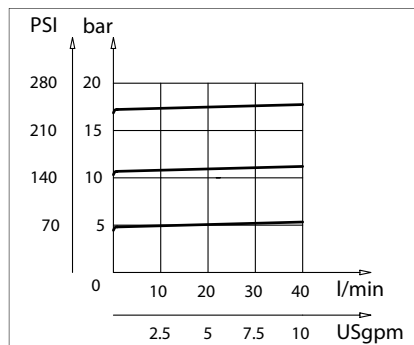
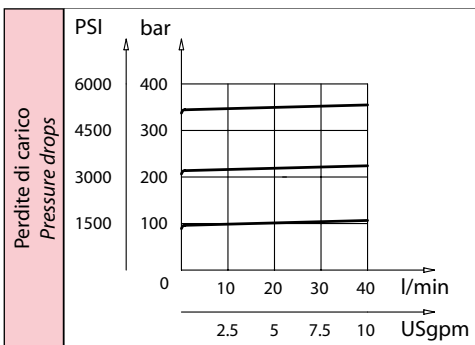
Valvole antiurto doppie incrociate  
Double cross line direct acting relief valves



Dati tecnici Technical data	
Viscosità fluido Fluid viscosity	10-500 mm <sup>2</sup> /s 45 to 2000 ssu (6 to 420 cSt)
Classe di contaminazione Filtration	ISO code 16/13 SAE class 4 or better
Temperatura fluido Fluid temperature	-20°C +80°C -4°F +176°F
Temperatura ambiente Ambient temperature	-20°C +50°C -4°F +122°F



[ mm  
(Inches) ]



Caratteristiche tecniche Technical performances							
Codice Code	A	Portata Max Max flow l/min - USgpm	Pressione Max Max pressure bar/PSI	B	C	Peso approssimativo Approx weight Kg / lb	Valvola tipo Type of valve
VBDC380	BSPP 3/8	40 (10.5)	350 (5000)	28 (1.10)	21 (0.83)	1,1 (2.45)	VMD40
VBDC120	BSPP 1/2			33 (1.30)	18,5 (0.73)		

Codice ordinazione Ordering code			
VBDC - X - Y - K			
X	Dimensione / Size	K	Cappuccio in plastica Safety cap
380	BSPP 3/8	s	
120	BSPP 1/2		
Y	Molla / Spring		
1	100 bar (1450 PSI) max		
2	210 bar (3000 PSI) max		
3	350 bar (5000 PSI) max		